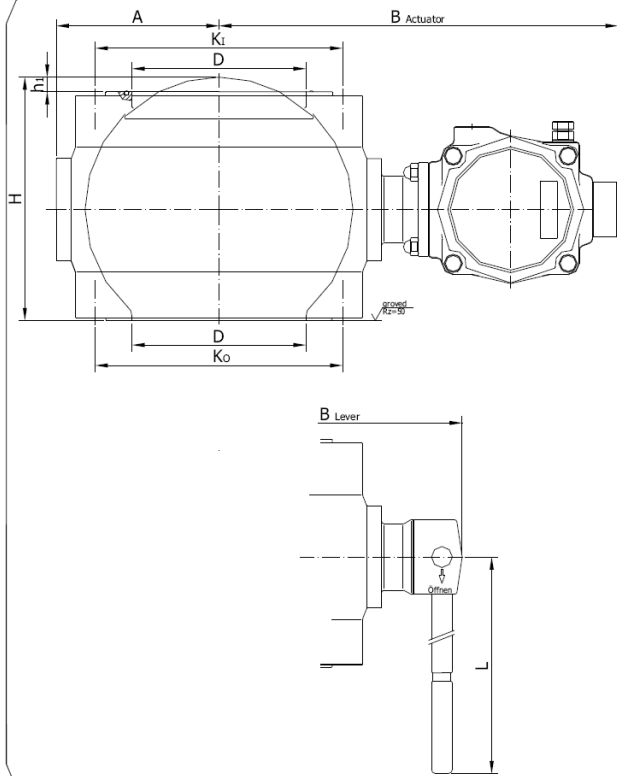
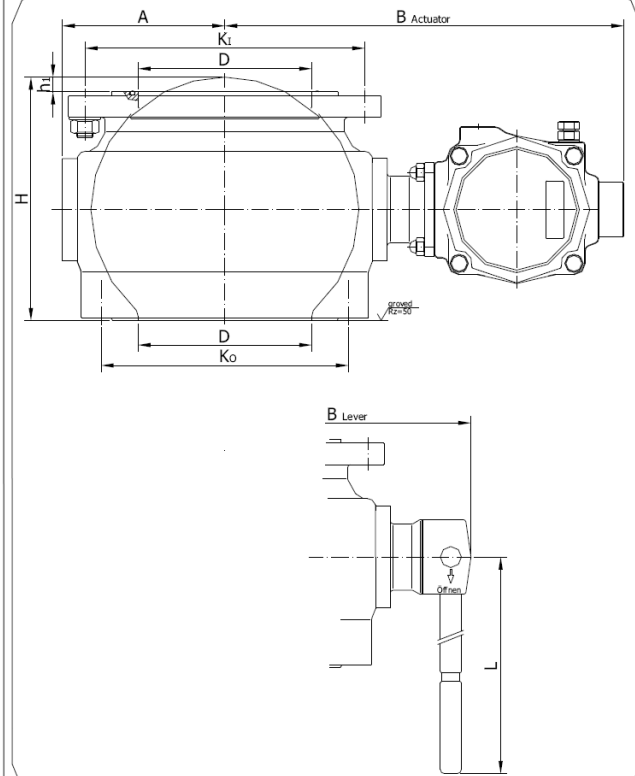


Valve with threaded holes



Valve with holes



Dimensions

	DN100	DN150	DN200	DN250	DN300
H	202	228	290	355	411
h <sub>1</sub>	-9	8	17,5	28	39
A	130	157	194	233	265
B Actuator	407	468	476	560	592
B Lever	267	294	290	329	361
D	100,8	159,3	207,3	260,4	309,7
K <sub>I</sub>	180 (8x M16)	240 (8x M20)	295 (8x M20)	350 (12x M20)	400 (12x M20)
K <sub>O</sub>	180 (8x M16)	240 (8x M20)	295 (8x M20)	350 (12x M20)	400 (12x M20)
L	300	400	500	600	700

Other dimensions on request  
Dimensions and design can be subject of change

Dimensions

	DN100	DN150	DN200	DN250	DN300
H	202	228	290	355	411
h <sub>1</sub>	-9	8	17,5	28	39
A	130	157	194	233	265
B Actuator	407	468	476	560	592
B Lever	267	294	290	329	361
D	100,8	159,3	207,3	260,4	309,7
K <sub>I</sub>	210 (8x Ø18)	283 (8x Ø22)	334 (8x Ø22)	400 (12x Ø22)	460 (12x Ø22)
K <sub>O</sub>	180 (8x M16)	240 (8x M20)	295 (8x M20)	350 (12x M20)	400 (12x M20)
L	300	400	500	600	700

Other dimensions on request  
Dimensions and design can be subject of change